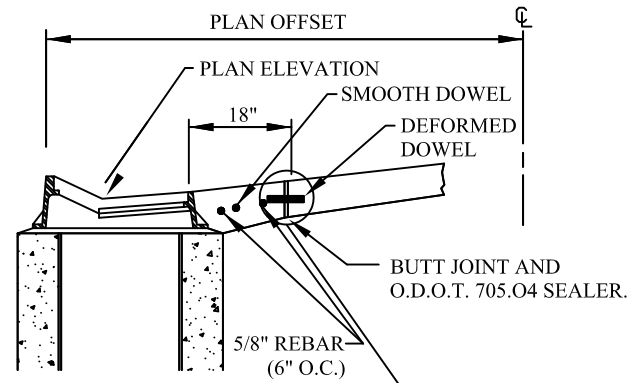


**\*NOTE:**

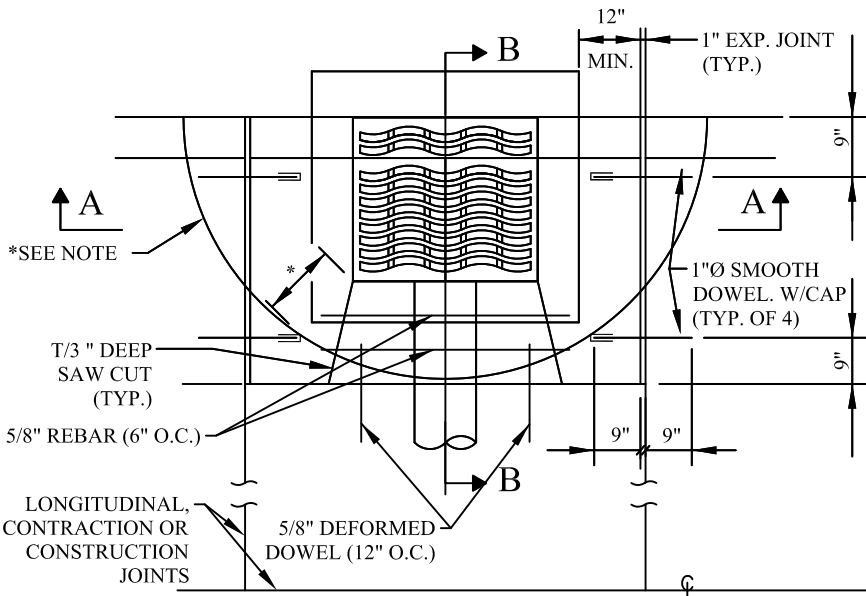
AN ALTERNATE INLET BOX-OUT TO BE USED WHERE RECTANGULAR BOX-OUT DOES NOT FIT PAVEMENT JOINT PATTERN OR WHERE DIRECTED BY ENGINEER. JOINT TO BE A SMOOTH BUTT JOINT WITH 1" EXPANSION MATERIAL. DELETE SMOOTH DOWEL BARS AND CAPS. \* = 12" TO 24", AS DIRECTED BY ENGINEER.

**GENERAL NOTES:**

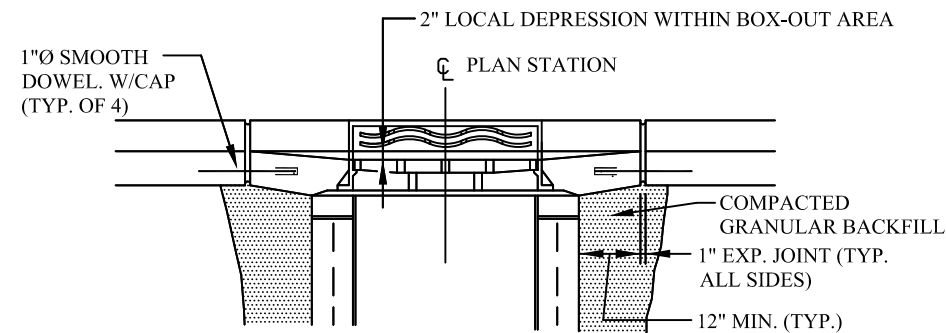
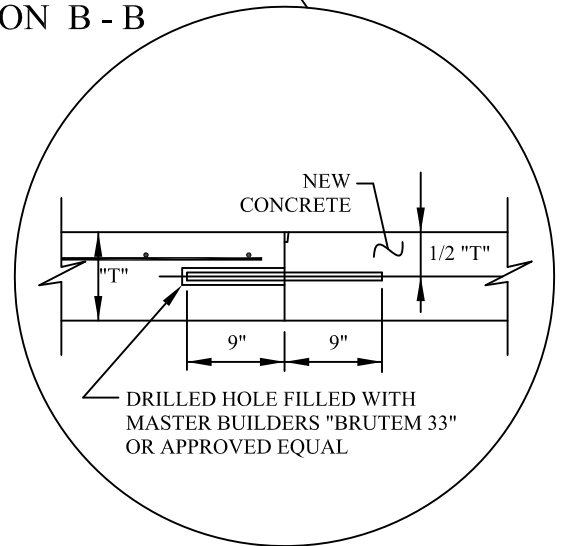
1. ALL WORK TO CONFORM TO O.D.O.T. ITEM 451. UNLESS OTHERWISE SPECIFIED.
2. CASTING IS EJIW #7390 WITH TYPE M3 GRATE
3. FOR EXISTING PAVEMENTS: 18" LONG DEFORMED DOWEL 12" O.C. 5/8" DIAMETER FOR "T" ≤ 8" AND 1" FOR "T" > 8"



**SECTION B - B**



**PLAN**



**SECTION A - A**

<p>CITY OF SOLON ENGINEERING DEPARTMENT</p>	<p>STANDARD DETAIL</p>	<p>CURB INLET BOX OUT FOR ROLLED CURB</p>
		<p>P-12B</p>